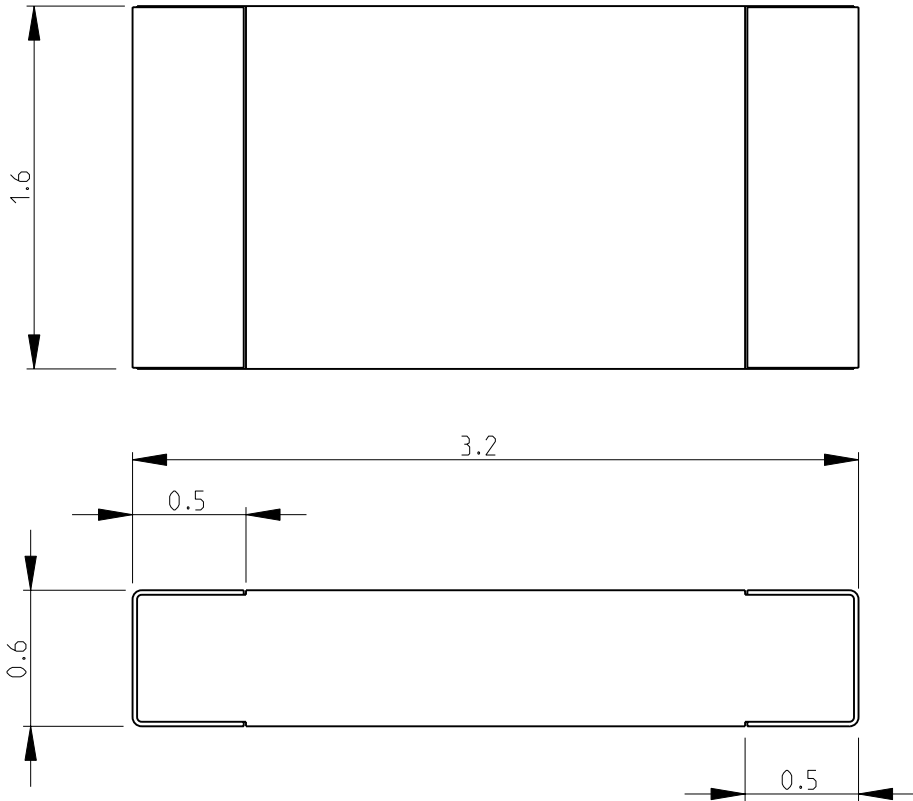
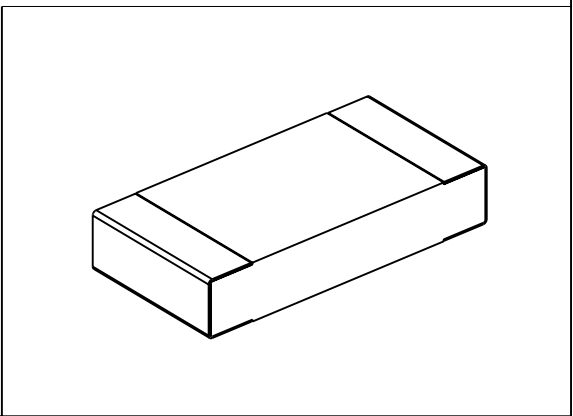


LOC	DIST	REVISIONS				
P	LTR	DESCRIPTION	DATE	DWN	APVD	
E	B	BA1	REVISED PER ECO-11-005150	31MAR2011	RK	HMR

FOR FURTHER INFORMATION SEE DATA SHEET FOR  
SERIES TL2B - SMD LOW-OHMIC CURRENT SENSE RESISTORS



RoHS Compliant




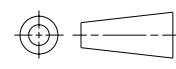
2009

RELEASED FOR PUBLICATION

ALL RIGHTS RESERVED.

THIS DRAWING IS UNPUBLISHED.

© COPYRIGHT 2009

DIMENSIONS:		DWN	30NOV2009	MATERIAL	-	FINISH	-
mm		MAHARUDRA		 TE Connectivity			
TOLERANCES UNLESS OTHERWISE SPECIFIED:		CHK	30NOV2009				
0 PLC	±0.2	ALLAN.P		NAME SMD LOW-OHMIC CURRENT SENSE RESISTORS SERIES TL2B			
1 PLC	±0.1	APVD	30NOV2009				
2 PLC	±	STEPHEN.P		SIZE A 4 CAGE CODE 00779 DRAWING NO C-1625826 RESTRICTED TO -			
3 PLC	±	PRODUCT SPEC	-				
4 PLC	±	APPLICATION SPEC	-	SCALE 30:1 SHEET 1 OF 1 REV BA1			
ANGLES	±5°	WEIGHT	-				
		CUSTOMER DRAWING					